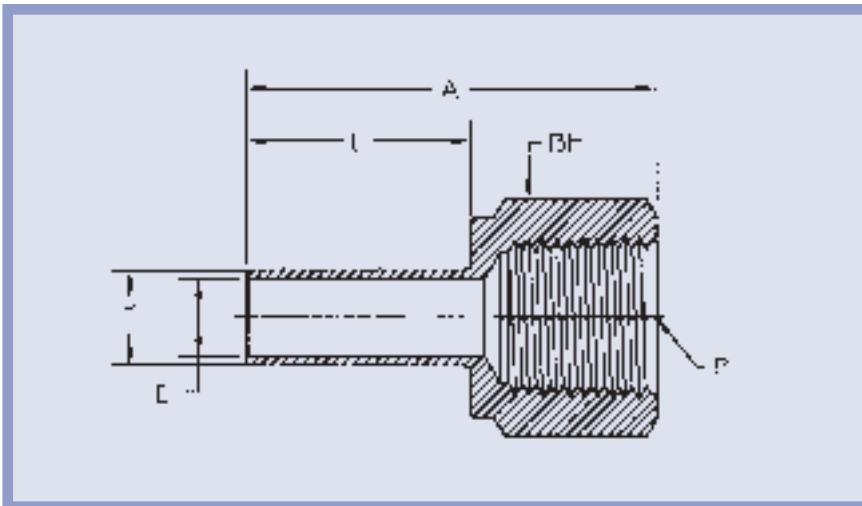


ADAPTER TUBE TO FEMALE PIPE



PART NUMBER	T TUBE O.D.	P PIPE END NPT	A	E THRU HOLE	L	BH BODY HEX
1-1ATPF-1	1/16	1/16	.922	.018	.687	1/2
1-1ATPF-2	1/16	1/8	1.047	.018	.687	9/16
2-1ATPF-2	1/8	1/8	1.312	.081	.687	9/16
2-1ATPF-4	1/8	1/4	1.406	.081	.687	3/4
3-1ATPF-2	3/16	1/8	1.390	.140	.765	9/16
3-1ATPF-4	3/16	1/4	1.484	.140	.765	3/4
4-1ATPF-1	1/4	1/16	1.328	.187	.828	1/2
4-1ATPF-2	1/4	1/8	1.390	.187	.828	9/16
4-1ATPF-4	1/4	1/4	1.546	.187	.828	3/4
4-1ATPF-6	1/4	3/8	1.609	.187	.828	7/8
4-1ATPF-8	1/4	1/2	1.796	.187	.828	1-1/16
4-1ATPF-12	1/4	3/4	1.890	.187	.828	1-1/4
5-1ATPF-2	5/16	1/8	1.468	.250	.844	9/16
5-1ATPF-4	5/16	1/4	1.562	.250	.844	3/4
5-1ATPF-6	5/16	3/8	1.625	.250	.844	7/8
5-1ATPF-8	5/16	1/2	1.812	.250	.844	1-1/16
6-1ATPF-2	3/8	1/8	1.593	.281	.969	9/16
6-1ATPF-4	3/8	1/4	1.687	.281	.969	3/4
6-1ATPF-6	3/8	3/8	1.750	.281	.969	7/8
6-1ATPF-8	3/8	1/2	1.937	.281	.969	1-1/16
8-1ATPF-4	1/2	1/4	1.890	.406	1.172	3/4
8-1ATPF-6	1/2	3/8	1.953	.406	1.172	7/8
8-1ATPF-8	1/2	1/2	2.140	.406	1.172	1-1/16
8-1ATPF-12	1/2	3/4	2.203	.406	1.172	1-1/4
8-1ATPF-16	1/2	1	2.547	.406	1.172	1-5/8
10-1ATPF-6	5/8	3/8	2.000	.531	1.250	7/8
10-1ATPF-8	5/8	1/2	2.218	.531	1.250	1-1/16
12-1ATPF-8	3/4	1/2	2.234	.656	1.281	1-1/16
14-1ATPF-12	7/8	3/4	2.453	.781	1.500	1-1/4
16-1ATPF-8	1	1/2	2.515	.906	1.547	1-1/16
16-1ATPF-12	1	3/4	2.609	.906	1.547	1-1/4
16-1ATPF-16	1	1	2.922	.906	1.547	1-5/8

*NOTE: All dimensions subject to change, to be used for reference only.